

SD1602X (16 CHARACTERS x 2 LINES)

FEATURES

- . 5 x 7 DOTS WITH CURSOR
- . BUILT-IN CONTROLLER IIC
- . 3.3 V POWER SUPPLY
- . 1/16 DUTY CYCLE
- . 8-BIT PARALLEL INTERFACE

MECHANICAL DATA

ITEM	DIMENSIONS	UNIT
Module Size (W x H x T)	73.25 x 35.5 x 11.5	mm
Viewing Area (W x H)	52.0 x 14.4	mm
Character Size (W x H)	2.55 x 4.99	mm
Character Pitch (W x H)	3.16 x 5.41	mm
Dot Size (W x H)	0.47 x 0.58	mm
Dot Pitch (W x H)	0.52 x 0.63	mm

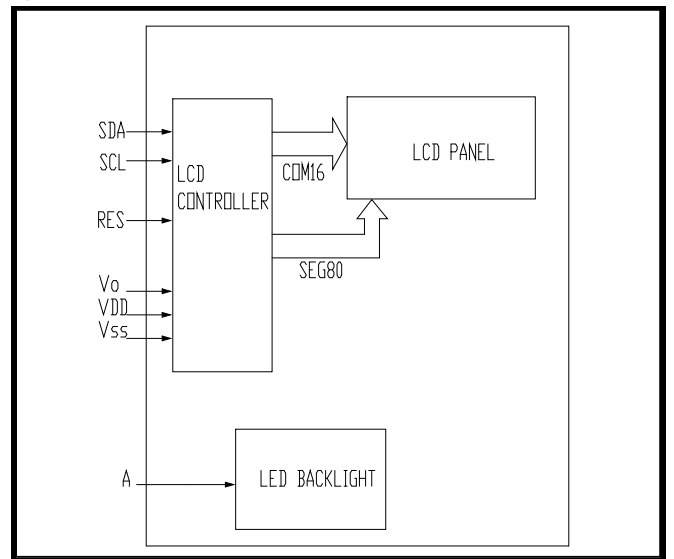
INTERFACE PIN CONNECTIONS

NO.	SYMBOL	FUNCTION
1	VSS	Supply Ground
2	VDD	Supply Voltage
3	Vo	Contrast Adj.
4	SDA	IIC Bus Serial Data Input/Output
5	SCL	IIC Bus Serial Clock Input
6	A	LED Power
7	RES	Reset Input

ELECTRICAL CHARACTERISTICS

ITEM	SYMBOL	CONDITION	MIN.	TYP.	MAX.	UNIT
LCD Operating Voltage	V _{DD-Vo}	T=0.	-	-	-	V
		T=25.	4.0	4.5	5.0	V
		T=50.	-	0	-	V
Supply Voltage	V _{DD-VSS}	-	2.7	3.3	4.5	V
Supply Current	I _{DD}	-	-	3.2	6	mA
Input Voltage	"HIGH" Level	V _{IH}	-	2.2	-	V _{DD} V
	"LOW" Level	V _{IL}	-	0	-	0.6 V
Output Voltage	"HIGH" Level	V _{OH}	-	2.4	-	V
	"LOW" Level	V _{OL}	-	-	-	0.4 V

BLOCK DIAGRAM



EXTERNAL DIMENSIONS

