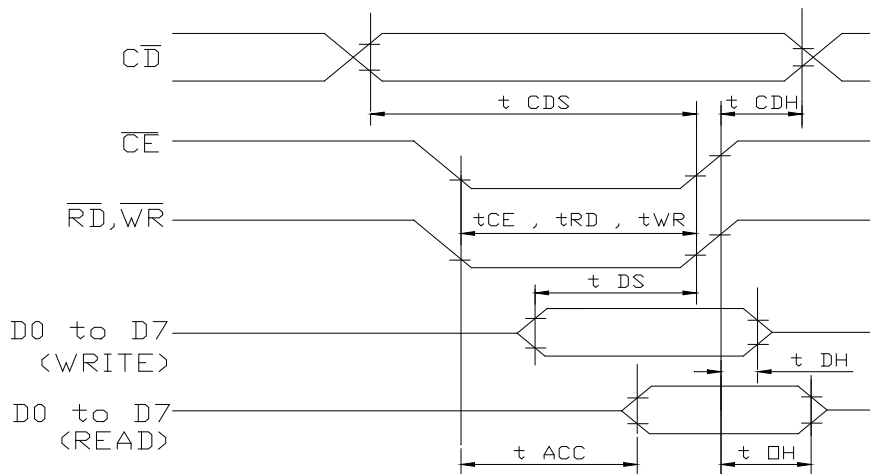


SG12864J (128 DOTS X 64 DOTS)

| TIMING CHARACTERISTICS

ITEM	SYMBOL	MIN.	MAX.	UNIT.
C/D Setup Time	t_{CDS}	100	-	ns
C/D Hold Time	t_{CDH}	10	-	ns
CE, RD, WR Pulse Width	t_{CE}, t_{RD}, t_{WR}	80	-	ns
Data Setup Time	t_{DS}	80	-	ns
Data Hold Time	t_{DH}	40	-	ns
Access Time	t_{ACC}	-	150	ns
Output Hold Time	t_{OH}	10	50	ns

Bus Timing



| BLOCK DIAGRAM

